

# OOG Ordering Guide/Data Sheet

## OUT OF GAUGE SCALE BASE

For ease of ordering, please determine your **Product Code** as explained below.

**PLEASE NOTE:** if you require a different size than listed below, contact Atrax directly for your customised Out of Gauge Scale Base requirements.

**PRODUCT CODE:** Please select from the matrix below (follow colour guide for reference)

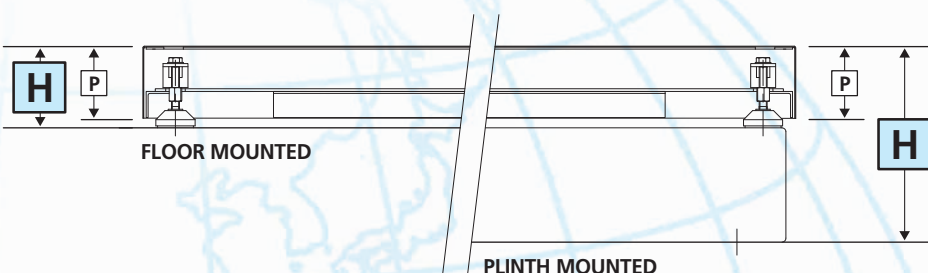
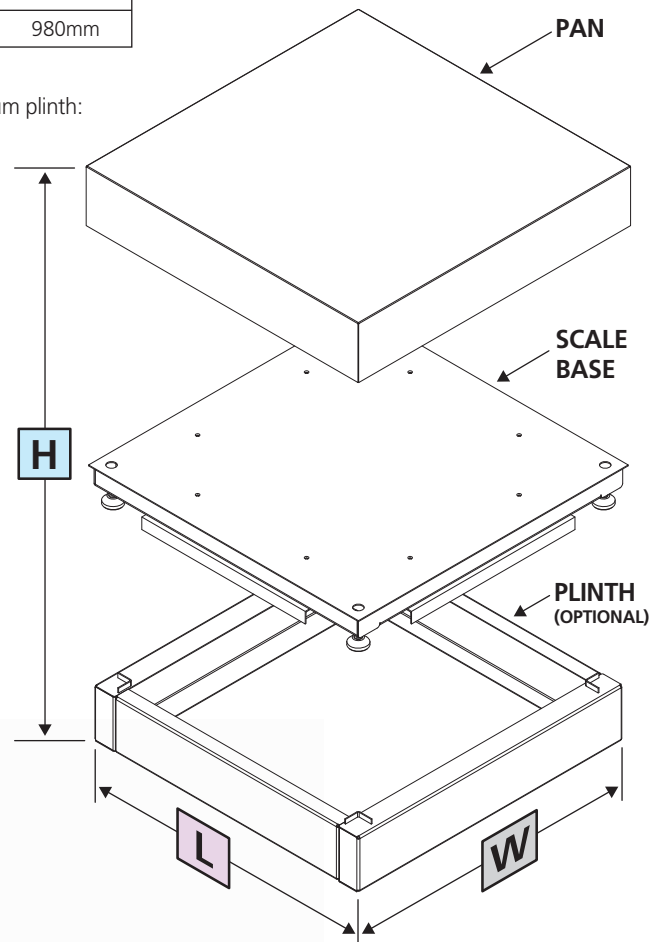
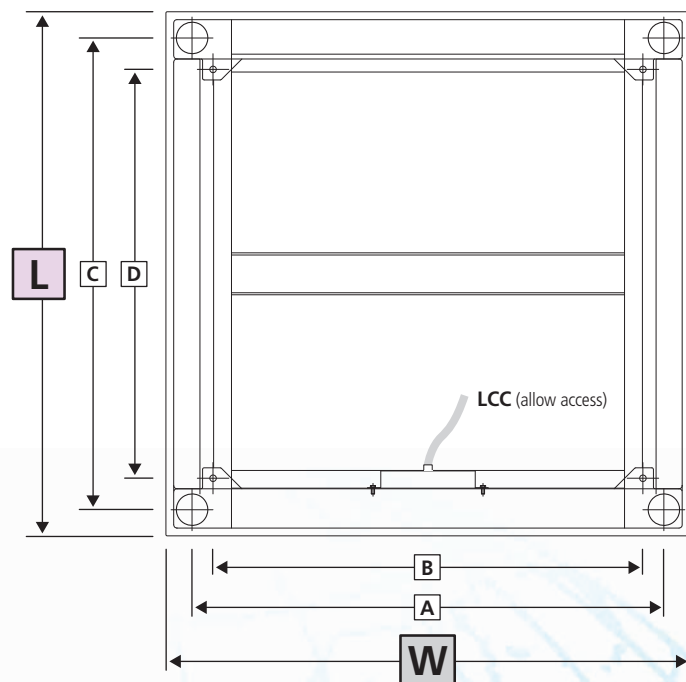


WIDTH		
(W) Overall Width	(A) Feet Centres	(B) Plinth Fixing
800mm	700mm	620mm
900mm	800mm	720mm
1000mm	900mm	820mm
1100mm	1000mm	920mm
1200mm	1100mm	1020mm

LENGTH		
(L) Overall Length	(C) Feet Centres	(D) Plinth Fixing
800mm	700mm	580mm
900mm	800mm	680mm
1000mm	900mm	780mm
1100mm	1000mm	880mm
1200mm	1100mm	980mm

NOMINAL HEIGHT (H)		PAN DEPTH (P)
130mm	no plinth	120mm
250mm	medium plinth	120mm
300mm	high plinth	120mm

**EXAMPLE:** For a 900mm x 1100mm Out of Gauge Scale Base with a medium plinth:  
Product Code **OOG-900-1100-250**



**NB:** Atrax cannot assume how your equipment will be installed, therefore we make no allowance for cable holes in the plinth. Loadcell cable (LCC) access needs to be considered; either a hole in the plinth or cable ducting underneath it. If you require holes at time of manufacture, please supply details of your requirements.

**DISCLAIMER:** Specifications are subject to change without notice. While every reasonable effort has been made to ensure the accuracy of the information provided in this document, possible errors and omissions are unintentional.

**Atrax Group NZ Limited.**

390A Church Street, Penrose, Auckland 1061, New Zealand. Telephone +64 9 634 5337, Facsimile: +64 9 634 5339, E-mail: atrax@atraxgroup.com Internet: www.atraxgroup.com

Ref: 0410 ©Atrax Group 2010

